



OPTIONS

Housing

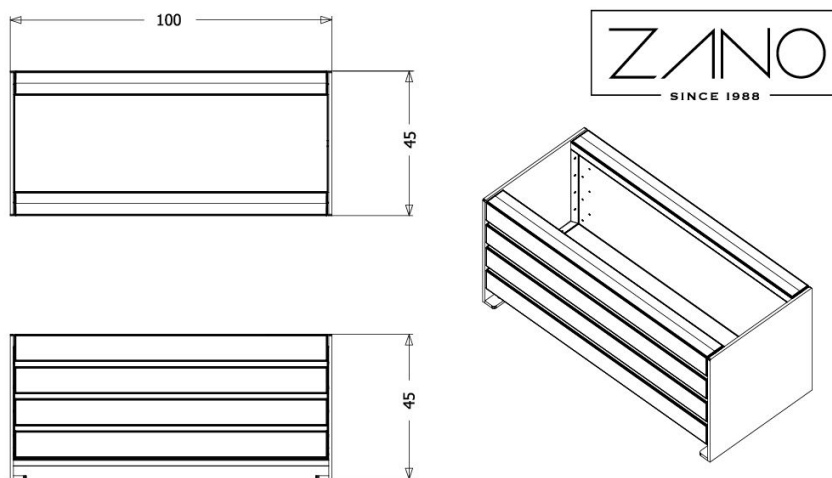
- European coniferous wood
- hardwood of European origin
- oiled exotic wood
- premium exotic wood
- HPL board

DESCRIPTION

The Simple pot line offers four pots, from size S to XL. Simple boasts a clean, double-sided design that stands out, whether in wood or steel. Suitable for contemporary city environments, the Simple can be placed as a standalone feature or grouped. Its sleek steel surfaces are complemented by straightforward, evident wooden slats. Simple showcases an ideal material mix, blending different textures to form a perfectly solid structure. The array of materials and color choices for wood or steel allows for plenty of customization. The steel framework is exceptionally stable and doesn't need extra reinforcement, but it can be permanently anchored to the ground if desired.

ZANO
URBAN FURNITURE





wartości podane są w centymetrach

GENERAL TECHNICAL DATA

Dimensions

- width: 39 1/4 in
- height: 17 3/4 in
- depth: 17 3/4 in

Materials

- spruce wood: [lacquer colors](#)
- exotic wood: [natural colors](#)
- carbon steel: [RAL colors](#)

Weight

- 192 lb

ZANO



M. Welmiński

Product: Simple flower pot
 Catalog number: **06.040.M**
 Designer:
 Mateusz Welmiński

In accordance with the Polish Law on Copyright and Related Rights of 04.02.1994 (Official Journal of Laws No. 24, item 83, corrected: Journal of Laws No. 43, item 170) and in accordance with the EU copyright legislation including all EU directives and regulations on copyright, Zano Mirosław Zarotynski Company, reserves the copyright of drawings, descriptions, 3D models, renderings, graphics, content contained in offers, attachments to offers and all other documents. Its content is the intellectual property of ZANO Mirosław Zarotynski company. The use of author's ideas, solutions, copying, distribution of photos, graphics or fragments of graphics, descriptive texts, for profit, without the permission of the author - ZANO Mirosław Zarotynski company - is prohibited and constitutes a copyright infringement and is punishable.