

OPTIONS

Countertop

- concrete

Mounting method

- to be grouted in

Game board

- no
- UV printed, top impregnated
- etched in stainless steel plate

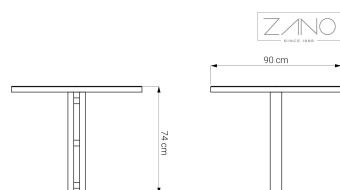
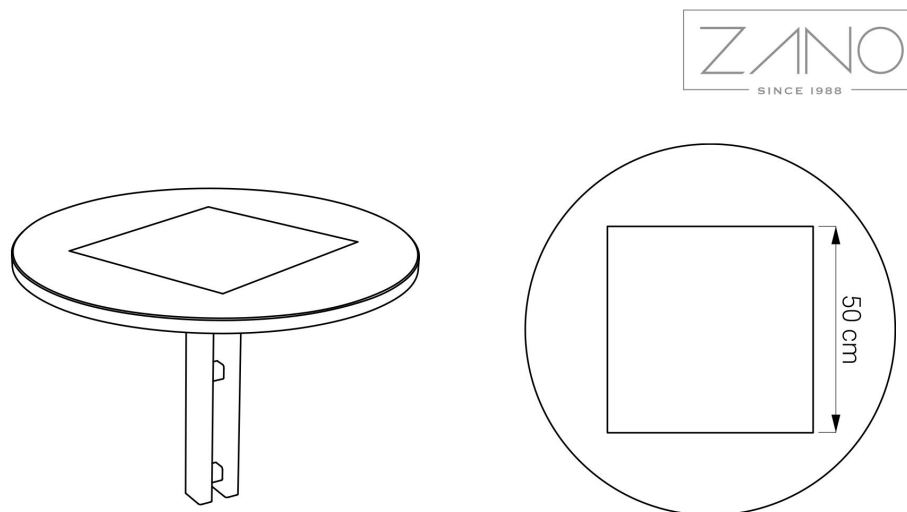
DESCRIPTION

Bus Table. Features a concrete surface perfect for setting up a game of chess or checkers. The game board is either UV printed directly onto the concrete or etched into a steel plate that fits snugly into a recess in the concrete surface. The table is built on a robust steel frame. Options include carbon steel with a powder coat in any RAL color or stainless steel.



ZANO
SINCE 1984





GENERAL TECHNICAL DATA

Dimensions

- width: 35 1/2 in
- height: 29 1/4 in
- depth: 35 1/2 in

Materials

- Concrete countertop
- Stainless steel or carbon steel construction

Weight

- 220 lb

ZANO



Iwona Żaczek

Product: Bus table
 Catalog number: 13.020.2
 Designer: Iwona Żaczek

In accordance with the Polish Law on Copyright and Related Rights of 04.02.1994 (Official Journal of Laws No. 24, item 83, corrected: Journal of Laws No. 43, item 170) and in accordance with the EU copyright legislation including all EU directives and regulations on copyright, Zano Mirosław Zarotynski Company, reserves the copyright of drawings, descriptions, 3D models, renderings, graphics, content contained in offers, attachments to offers and all other documents. Its content is the intellectual property of ZANO Mirosław Zarotynski company. The use of author's ideas, solutions, copying, distribution of photos, graphics or fragments of graphics, descriptive texts, for profit, without the permission of the author - ZANO Mirosław Zarotynski company - is prohibited and constitutes a copyright infringement and is punishable.

NOTE: The drawings do not reflect the actual dimensions of the foundation. These are only sample installation diagrams taking into account the type of anchoring and the material of the substrate to which to attach the furniture.

The size of the foundation depends on local foundation conditions.



INSTALLATION TO PAVING WITH FOUNDATION

Installation description

1. ZANO product
2. Stone paving / concrete paving / stone slabs / concrete slabs
3. Sand ballast (approximately 2 - 4 cm)
4. Concrete foundation of C16/20 class (top surface of concrete 10 cm below paving surface)
5. Local land



MOUNTING TO CONCRETE FOUNDATION

Installation description

1. ZANO product
2. Concrete foundation of C16/20 class (top surface of concrete 10 cm below paving surface)
3. Local land



MOUNTING TO CONCRETE FOUNDATION

Installation description

1. ZANO product
2. Fixed restrained surface, such as concrete or asphalt
3. Concrete foundation of C16/20 class (top surface of concrete 10 cm below paving surface)
4. Stone aggregate substructure
5. Sand ballast (approximately 2 - 4 cm)
6. Local land