

OPTIONS

Seat

- European coniferous wood
- hardwood of European origin
- oiled exotic wood
- premium exotic wood

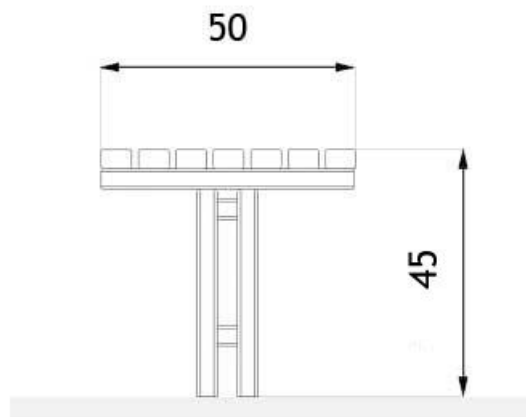
Mounting method

- to be grouted in

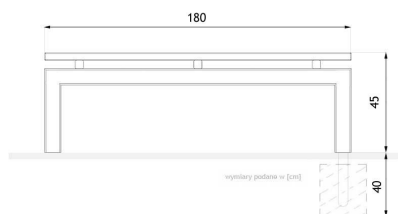
DESCRIPTION

A straightforward and visually appealing wooden bench, featuring a steel framework. The bus bench is crafted from either black or stainless steel paired with spruce or pine wood, with an option for exotic wood. Its design echoes the classic look of benches commonly found at bus and streetcar stops. Additionally, this bus bench fits well in playgrounds, school environments, and contemporary residential zones. The compact arrangement of the steel legs on the edges ensures the bench occupies minimal space. It is installed on concrete bases, securing it solidly to the ground. This bus bench is distinctive among other backless benches in the market.





wymiary podane w [cm]



wymiary podane w [cm]

GENERAL TECHNICAL DATA

Dimensions

- width: 19 ³/₄ in
- length: 70 ³/₄ in
- height: 17 ³/₄ in

Weight

- 99 lb

Materials

- carbon steel or stainless steel
- wood

ZANO



M. Welmiński

Product: Bus bench
 Catalog number: 02.420
 Designer:
 Mateusz Welmiński

In accordance with the Polish Law on Copyright and Related Rights of 04.02.1994 (Official Journal of Laws No. 24, item 83, corrected: Journal of Laws No. 43, item 170) and in accordance with the EU copyright legislation including all EU directives and regulations on copyright, Zano Mirosław Zarotynski Company, reserves the copyright of drawings, descriptions, 3D models, renderings, graphics, content contained in offers, attachments to offers and all other documents. Its content is the intellectual property of ZANO Mirosław Zarotynski company. The use of author's ideas, solutions, copying, distribution of photos, graphics or fragments of graphics, descriptive texts, for profit, without the permission of the author - ZANO Mirosław Zarotynski company - is prohibited and constitutes a copyright infringement and is punishable.

NOTE: The drawings do not reflect the actual dimensions of the foundation. These are only sample installation diagrams taking into account the type of anchoring and the material of the substrate to which to attach the furniture.

The size of the foundation depends on local foundation conditions.



INSTALLATION TO PAVING WITH FOUNDATION

Installation description

1. ZANO product
2. Stone paving / concrete paving / stone slabs / concrete slabs
3. Sand ballast (approximately 2 - 4 cm)
4. Concrete foundation of C16/20 class (top surface of concrete 10 cm below paving surface)
5. Local land



MOUNTING TO CONCRETE FOUNDATION

Installation description

1. ZANO product
2. Concrete foundation of C16/20 class (top surface of concrete 10 cm below paving surface)
3. Local land



MOUNTING TO CONCRETE FOUNDATION

Installation description

1. ZANO product
2. Fixed restrained surface, such as concrete or asphalt
3. Concrete foundation of C16/20 class (top surface of concrete 10 cm below paving surface)
4. Stone aggregate substructure
5. Sand ballast (approximately 2 - 4 cm)
6. Local land